

High Power LED Spot Light

3W/MR16/LED/3x1W

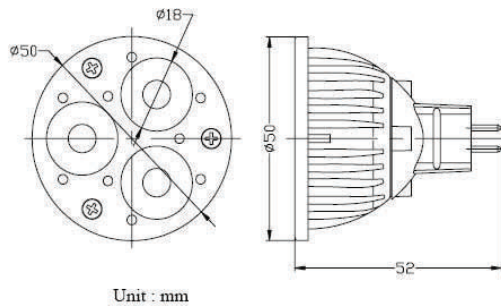
CE & RoHS Certified



- Ideal for retail stores, hotels, restaurants, museums and art gallery lighting
- High power LED optimizes light output 120 Lumens with only 3W energy consumption (Equivalent to 20W halogen), providing 40,000 hours life time and up to 80% in energy savings compared to a standard halogen
- No UV or IR Radiation
- RoHS compliant
- Aluminum housing
- Low heat

www.everbrightlights.com

Electrical, Technical and Ordering Data



Product Code	Colour	Color Temperature	Light Output
E160331CW	Cool White	6700k	120Lumens
E160331W	Neutral White	5500k	120Lumens
E160331WW	Warm White	3300k	90Lumens
E160331R	Red	610nm	120Lumens
E160331Y	Yellow	590nm	120Lumens
E160331G	Green	515nm	120Lumens
E160331B	Blue	460nm	60Lumens

- Net weight: 30g
- Dimensions: Ø50mm x 52mm
- Beam angle: 30°
- Base type: 2-pin GX5.3
- Light source: 3*1W high power LED
- Energy Consumption: 3W
- Life Time: 40,000 Hours
- Input Voltage: 12V AC / DC
- Body Temperature: <53 Centigrade
- Working Temperature: -30~110 Celsius degree
- Storage Temperature: -40~120 Celsius degree
- Light Attenuation Quotient: 3%-5%/1Kh

CAUTION: To avoid the risks of burn or other injury, turn power off and allow the lamp to fully cool before attempting to replace. Socket condition may affect lamp life. Inspect and replace socket if deterioration has occurred. Do not use this bulb with a dimmer otherwise the warranty void.