

High Power LED Spot Light

4.5W/MR16/LED/3x1.5W

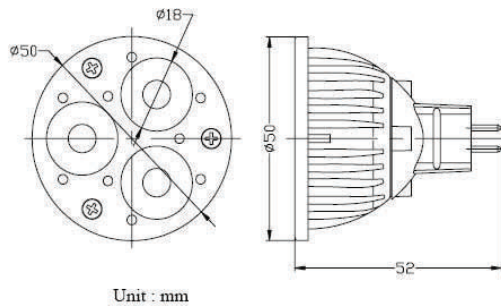
CE & RoHS Certified



- Ideal for retail stores, hotels, restaurants, museums and art gallery lighting
- High power LED optimizes light output 240 Lumens with only 4.5W energy consumption (Equivalent to 35W halogen), providing 40,000 hours life time and up to 80% in energy savings compared to a standard halogen
- No UV or IR Radiation
- RoHS compliant
- Aluminum housing
- Low heat

www.everbrightlights.com

Electrical, Technical and Ordering Data



| Product Code | Colour | Color Temperature | Light Output |
|--------------|---------------|-------------------|--------------|
| E160533CW | Cool White | 6700k | 240Lumens |
| E160533W | Neutral White | 5500k | 240Lumens |
| E160533WW | Warm White | 3300k | 160Lumens |
| E160533R | Red | 610nm | 240Lumens |
| E160533Y | Yellow | 590nm | 240Lumens |
| E160533G | Green | 515nm | 240Lumens |
| E160533B | Blue | 460nm | 120Lumens |

- Net weight: 35g
- Dimensions: Φ50mm x 52mm
- Beam angle: 30°
- Base type: 2-pin GX5.3
- Light source: 3*3W high power LED
- Energy Consumption: 5W

- Life Time: 40,000 Hours
- Input Voltage: 12V AC / DC
- Body Temperature: <53 Centigrade
- Working Temperature: -30~110 Celsius degree
- Storage Temperature: -40~120 Celsius degree
- Light Attenuation Quotient: 3%-5%/1Kh

CAUTION: To avoid the risks of burn or other injury, turn power off and allow the lamp to fully cool before attempting to replace. Socket condition may affect lamp life. Inspect and replace socket if deterioration has occurred. Do not use this bulb with a dimmer otherwise the warranty void.