

High Power LED Festoon Bulb

Festoon/LED/3SMT

CE & RoHS Certified

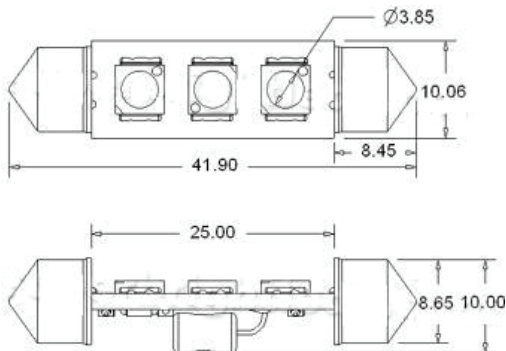


- Drop in replacement
- Low power consumption (0.5W equivalent to 5W light output)
- Includes Voltage Buck Driver (This bulb consults the same amount of power 0.5W throughout the operating voltage range)
- Built-in current limiting resistors
- Shock & vibration resistant
- Long life (10,000hours +)
- Low heat generation
- High intensity
- Instant ON/OFF

www.everbrightlights.com

Electrical, Technical and Ordering Data

The box below shows 42mm festoon bulb.
EFT337 will be 37mm festoon bulb.



| Product Code | Colour | Color Temperature | Light Output |
|--------------|------------|-------------------|--------------|
| EFT342CW | Cool White | 6700k | 32Lumens |
| EFT342WW | Warm White | 3000k | 29Lumens |
| EFT342R | Red | 610nm | 20Lumens |
| EFT342Y | Yellow | 590nm | 20Lumens |
| EFT342G | Green | 515nm | 22Lumens |
| EFT342B | Blue | 460nm | 14Lumens |

- Net weight: 6g
- Dimensions: L 42mm x W 10mm x H 10mm
- Beam angle: 120°
- Light source: 3 LEDs
- Energy Consumption: 0.5W
- Life Time: 10,000 Hours +
- Input Voltage: 8~30V AC / DC
- Body Temperature: <53 Centigrade
- Working Temperature: -30~80 Celsius degree
- Storage Temperature: -40~90 Celsius degree
- Light Attenuation Quotient: 3%-5%/1Kh

CAUTION: To avoid the risks of burn or other injury, turn power off and allow the lamp to fully cool before attempting to replace. Socket condition may affect lamp life. Inspect and replace socket if deterioration has occurred. Do not use this bulb with a dimmer otherwise the warranty void.