

High Power LED Miniature Light

G4/4SMT/BACKPIN

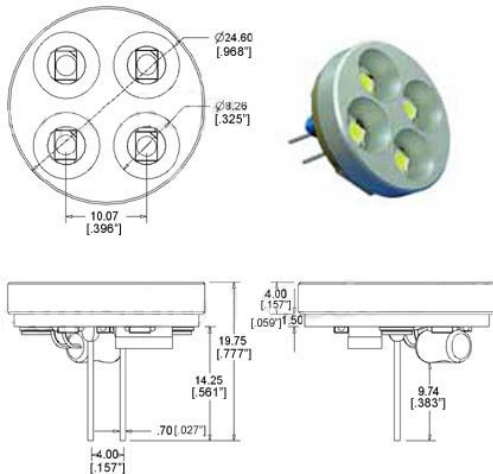
CE & RoHS Certified



- Drop in replacement
- Low power consumption (1.5W equivalent to 20W light output)
- Includes Voltage Buck Driver (This bulb consults the same amount of power 1.5 W throughout the operating voltage range)
- Built-in current limiting resistors
- Shock & vibration resistant
- Long life (10,000hours +)
- Low heat generation
- High intensity
- Instant ON/OFF

www.everbrightlights.com

Electrical, Technical and Ordering Data



Product Code	Colour	Color Temperature	Light Output
EG44CWB	Cool White	6700k	100Lumens
EG44WB	Neutral White	5500k	100Lumens
EG44WWB	Warm White	3000k	90Lumens
EG44RB	Red	610nm	60Lumens
EG44YB	Yellow	590nm	60Lumens
EG44GB	Green	515nm	60Lumens
EG44BB	Blue	460nm	50Lumens

- Net weight: 6g
- Dimensions: D25mm x L 20mm
- Beam angle: 60°
- Base type: 2-pin G4
- Light source: 4 LEDs
- Energy Consumption: 1.5W
- Life Time: 40,000 Hours
- Input Voltage: 12V AC / DC
- Body Temperature: <53 Centigrade
- Working Temperature: -30~40 Celsius degree
- Storage Temperature: -40~80 Celsius degree
- Light Attenuation Quotient: 3%-5%/1Kh

CAUTION: To avoid the risks of burn or other injury, turn power off and allow the lamp to fully cool before attempting to replace. Socket condition may affect lamp life. Inspect and replace socket if deterioration has occurred. Do not use this bulb with a dimmer otherwise the warranty void.