

High Power LED Miniature Light

G4/6LEDs

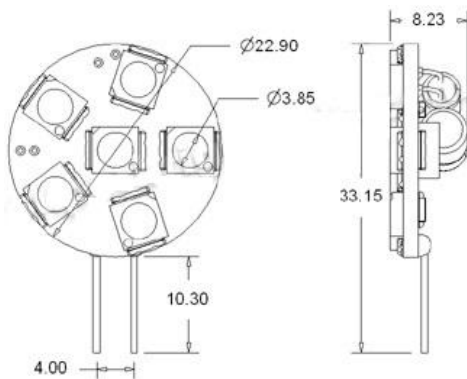
CE & RoHS Certified



- Drop in replacement
- Low power consumption (1.5W equivalent to 20W light output)
- Includes Voltage Buck Driver (This bulb consumes the same amount of power 1.5 W throughout the operating voltage range)
- Built-in current limiting resistors
- Shock & vibration resistant
- Long life (10,000hours +)
- Low heat generation
- High intensity
- Instant ON/OFF

www.everbrightlights.com

Electrical, Technical and Ordering Data



Product Code	Colour	Color Temperature	Light Output
EG46CW	Cool White	6700k	90Lumens
EG46W	Neutral White	5500k	90Lumens
EG46WW	Warm White	3000k	72Lumens
EG46R	Red	610nm	60Lumens
EG46Y	Yellow	590nm	60Lumens
EG46G	Green	515nm	60Lumens
EG46B	Blue	460nm	50Lumens

- Net weight: 6g
- Dimensions: L 34mm x W 23mm x H 9mm
- Beam angle: 120°
- Base type: 2-pin G4
- Light source: 6 LEDs
- Energy Consumption: 1.5W
- Life Time: 40,000 Hours
- Input Voltage: 12V AC / DC
- Body Temperature: <53 Centigrade
- Working Temperature: -30~40 Celsius degree
- Storage Temperature: -40~80 Celsius degree
- Light Attenuation Quotient: 3%-5%/1Kh

CAUTION: To avoid the risks of burn or other injury, turn power off and allow the lamp to fully cool before attempting to replace. Socket condition may affect lamp life. Inspect and replace socket if deterioration has occurred. Do not use this bulb with a dimmer otherwise the warranty void.